

---

## Buzz!Shade

— by Buzz!Space Studio and the four young Belgian furniture designers of Stal Collectief.

---

### Lighting fixture in Buzz!Felt

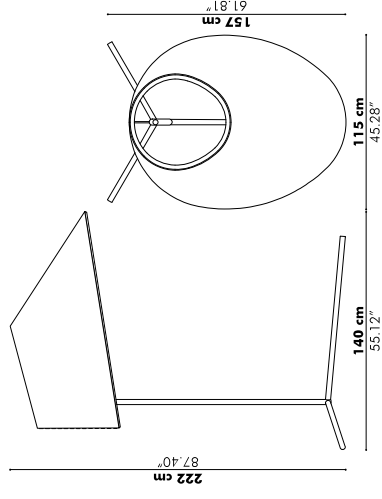
The Buzz!Shade combines its surroundings with acoustic performance. The design prevents eavesdroppers from hearing your private conversations, and reduces external noise levels to a minimum. The Buzz!Shade is extremely versatile. The perfect addition to any office, waiting room or restaurant, the Buzz!Shade is ideal for large-scale events. Be creative in color by adding a layer of fabric to the Buzz!Felt shades. The Buzz!Shade is the culmination of an artistic collaboration between Buzz!Space and the four young Belgian furniture designers of Stal Collectief.

---

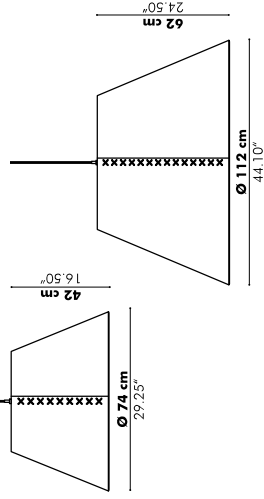


## Models/Dimensions

### Standing



### Pendant



## Finishes

### Frame:

- White frame RAL 9010 with red power cable
- Black frame RAL 9005 with black power cable
- Fluorescent frame RAL 2005 with orange power cable (EU)
- Fluorescent orange frame RAL 2005 with black power cable (US)
- Aluminium frame, not powder coated with black power cable (only for Pendant version)

### One layer of BuzzFelt

For BuzzShade Pendant extra layer in fabric collection CAT A, B, C (ex. Rough, Trevira CS +, Trevira CS, Revive 1, Revive 2 & Tartan) Black, white or fluorescent orange lace

## Mounting

For BuzzShade Pendant:



Fixing System screw  
with 2 cables of 2 or 5 m (black or alu coloured)

## Light

Excl. lightbulb  
E27, max 60W (EU)  
E26, max. 100W (US)  
BuzzShade cULus listed (US)  
BuzzShade Standing not cULus listed (US)

## Acoustics



Absorption

## How to order

### Size

Colour frame

Colour BuzzFelt

Colour lace

Extra layer (only possible either inside or outside)

Options

